


miniPLAN Profiler User Guide v1.0

Attach your Leica DISTO™ D8 to a Leica Adaptor LSA360 mounted on a tripod




The Leica Adaptor LSA360 can be attached to a pole or a tripod and allows the DISTO™ D8 to be rotated through 360° for measuring profiles.

WARNING – Using other attachments may cause incorrect distances to be measured.

Run **miniPLAN Profiler** on your  Bluetooth enabled computer



Press the **Start Profiling...** button

Turn on your DISTO™ D8 then press the Bluetooth button 

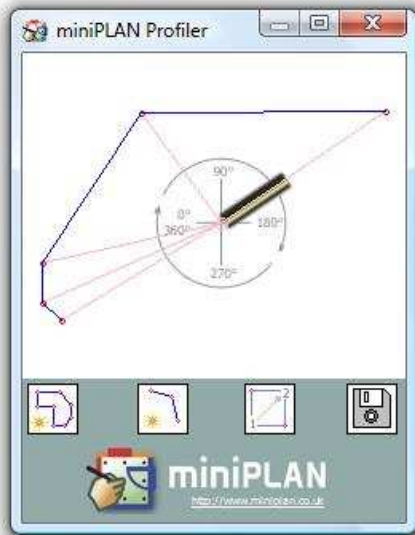


The Bluetooth connection screen will now be displayed on your computer.

Select the  button

When your DISTO™ D8 appears in the device list select it and Profiler will create a Bluetooth link between your computer and the D8. The Bluetooth connection window closes once the connection has been made.

Make sure your tripod is level and the D8 is aligned correctly to measure the required profile or section.



Point the DISTO to where you want to start measuring to

Tap the screen (or if you're using a mouse press the left button) to take a measurement

Rotate the DISTO on to the next point and take another measurement

Repeat until the profile is measured

The profile plots on the screen of your computer as you measure



Start a new profile

Warning – if you have not pressed the Save button first your current profile will be deleted and lost



Start a new line in the current profile



Rectangle from 2 points e.g. top left and bottom right points

Use to quickly measure a rectangular profile or a beam crossing your profile



Save to DXF

The DXF file name is displayed on the screen.

The saved files are located in

Documents/miniPLAN Profiler (path name may vary between different operating systems).